

MCX SERIES

MICROMINIATURE COAXIAL CONNECTORS



Description

Jy Chyun MCX Series connectors are ideal for applications and designs where weight and space savings are critical. This series has a 50 ohm impedance structure operates in a frequency range up to 6 GHz. It's push on / pull-off mating design allows a quick connect / disconnect facility.

Applications

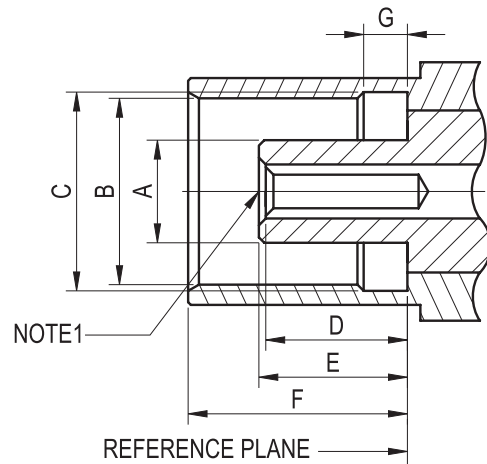
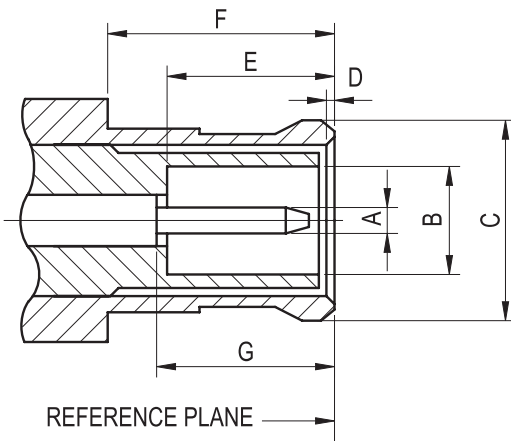
- Antennas
- Wireless
- Cellular telephones
- Instrumentation
- Information system
- PC / LAN
- Communication markets
- Telecommunications
- Process Controls

Specifications

Electrical		Material		
Impedance	50 ohm	Parts Name	Material	Finish
Frequency Range	0-6 GHz	Body, Metal Parts	Brass per QQ-B-626	Nickel or Gold*
Voltage Rating	335 VRMS	Center Contacts	Plug: Brass per QQ-B-626	Gold
Dielectric Withstanding Voltage	1000 Volts		Jack: Beryllium copper per QQ-C-530	
VSWR	Straight: 1.3 at 6GHz	Insulators	Teflon	None
	Right Angle: 1.5 at 4GHz	Gasket	Silicone Rubber	
Contact Resistance	Center Contact: 5 Milliohms Max.	Crimp Ferrules	Annealed copper	Nickel or Gold *
	Outer Contact: 2.5 Milliohms Max.			
Insulator Resistance	1000 megohms min.	Note : Other Material / Finish is Available on Request.		

Mechanical	
Engagement Force	3.4 lbs. max.
Disengagement Force	4.5 lbs. max.
Contact Retention	4 lbs. min.
Durability(Mating)	500 cycles min.(for Beryllium Copper female contact only)

Interface Mating Dimensions



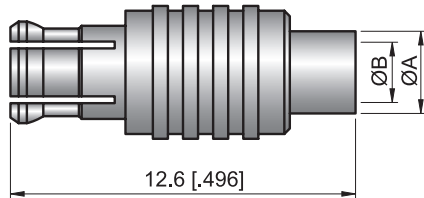
PLUG		
Letter	Millimeters	
	Minimum	Maximum
A	0.48(.019)	0.53(.021)
B	2.00(.079)	2.07(.081)
C	3.66(.144)	3.76(.148)
D	0.00	0.30(.012)
E	2.81(.111)	3.20(.126)
F	4.16(.164)	-
G	2.81(.111)	3.20(.126)

JACK		
Letter	Millimeters	
	Minimum	Minimum
A	1.80(.071)	1.97(.078)
B	3.43(.135)	3.48(.137)
C	3.61(.142)	3.75(.148)
D	2.31(.091)	2.79(.110)
E	2.61(.103)	2.79(.110)
F	4.00(.157)	4.12(.162)
G	0.75(.030)	0.85(.033)

NOTE 1 : I.D. TO MEET VSWR AND CONTACT RESISTANCE WHEN MATED WITH 0.48/0.53 MM DIA. PIN.

Semi-Rigid Cable

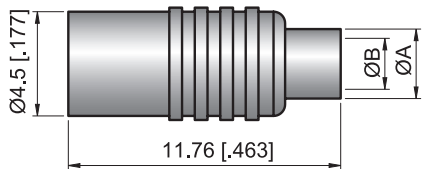
STRAIGHT PLUG, Solder



Part Number.	Cable Type	Dimension	
		A	B
MCX-A5612102S2	Semi-Rigid .047	2.2(.087)	1.3(.051)
MCX-A5612102S3	Semi-Rigid .085	3.2(.126)	2.2(.087)
MCX-A5612102S4	Semi-Rigid .141	4.6(.181)	3.6(.142)

Semi-Rigid Cable

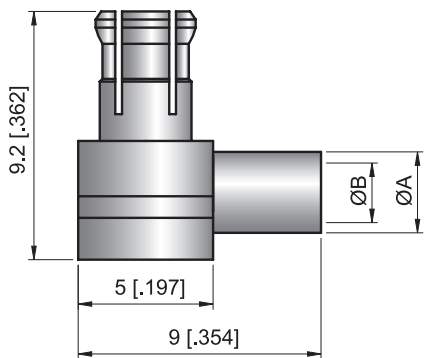
STRAIGHT JACK, Solder



Part Number.	Cable Type	Dimension	
		A	B
MCX-A5712101S2	Semi-Rigid .047	2.2(.087)	1.3(.051)
MCX-A5712101S3	Semi-Rigid .085	3.2(.126)	2.2(.087)
MCX-A5712101S4	Semi-Rigid .141	4.6(.181)	3.6(.142)

Semi-Rigid Cable

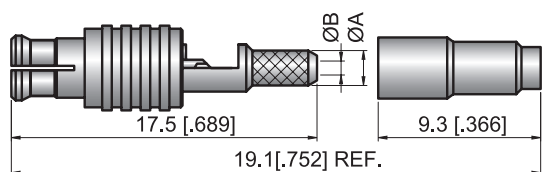
RIGHT ANGLE PLUG, Solder



Part Number.	Cable Type	Dimension	
		A	B
MCX-A5622101S2	Semi-Rigid .047	2.2(.087)	1.3(.051)
MCX-A5622101S3	Semi-Rigid .085	3.2(.126)	2.2(.087)
MCX-A5622101S4	Semi-Rigid .141	4.6(.181)	3.6(.142)

Flexible Cable

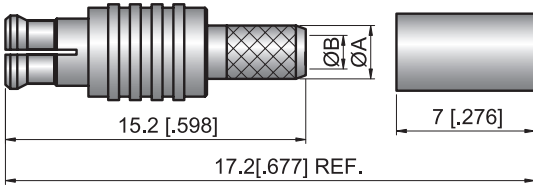
STRAIGHT PLUG, Crimp- SIDE SOLDER TYPE



Part Number.	Cable Type	Dimension	
		A	B
MCX-A5613101M1	Ø1.13/mm	2(.079)	0.8(.031)
MCX-A5613101M2	Ø1.32/mm	1.75(.069)	0.8(.031)
MCX-A5613101M4	Ø1.37/mm	2(.079)	1(.039)
MCX-A5613103R7	RG178.RG196	2(.079)	1(.039)

Flexible Cable

STRAIGHT PLUG, Crimp

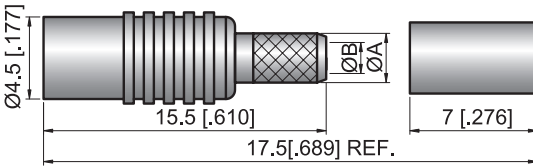


Part Number.	Cable Type	Dimension	
		A	B
MCX-A5611102R5	RG174.RG188.RG316	2.7(.106)	1.7(.067)
MCX-A5611102R7	RG178.RG196	2(.079)	1(.039)

*Reverse Polarity Series

Flexible Cable

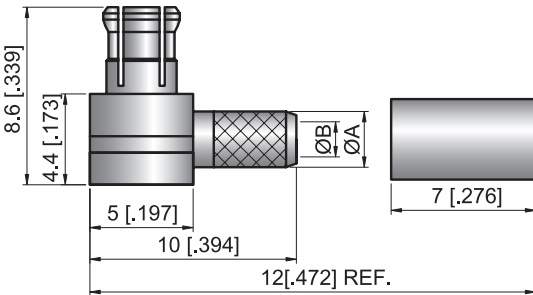
STRAIGHT JACK, Crimp



Part Number.	Cable Type	Dimension	
		A	B
MCX-A5711101R5	RG174.RG188.RG316	2.7(.106)	1.7(.067)
MCX-A5711101R7	RG178.RG196	2(.079)	1(.039)

Flexible Cable

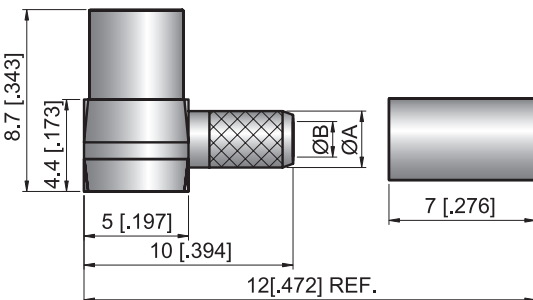
RIGHT ANGLE PLUG, Crimp



Part Number.	Cable Type	Dimension	
		A	B
MCX-A5621101R5	RG174.RG188.RG316	2.7(.106)	1.7(.067)
MCX-A5621101R7	RG178.RG196	2(.079)	1(.039)

Flexible Cable

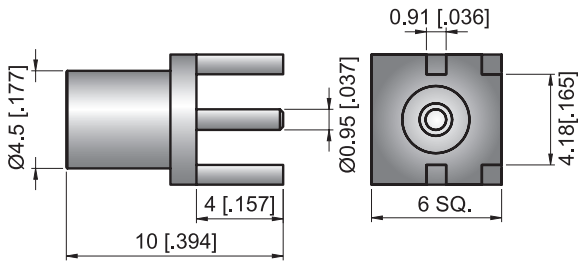
RIGHT ANGLE JACK, Crimp



Part Number.	Cable Type	Dimension	
		A	B
MCX-A5721102R5	RG174.RG188.RG316	2.7(.106)	1.7(.067)
MCX-A5721102R7	RG178.RG196	2(.079)	1(.039)

P.C.B Mount

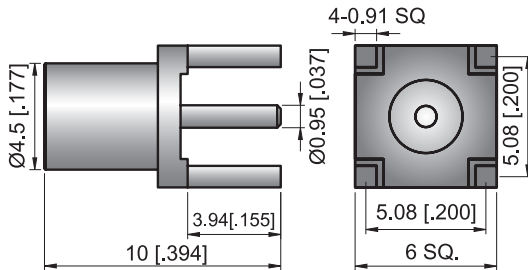
STRAIGHT JACK - Edge Mount



Part Number.	Cable Type	Dimension	
		A	B
MCX-A5716105Z0			

P.C.B Mount

STRAIGHT JACK

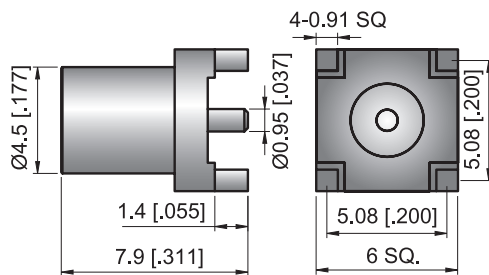


Part Number.	Cable Type	Dimension	
		A	B
MCX-A5716106Z0			

*REMARK : PCB MOUNTING HOLES REF. TO"MH B"

P.C.B Surface Mount

STRAIGHT JACK

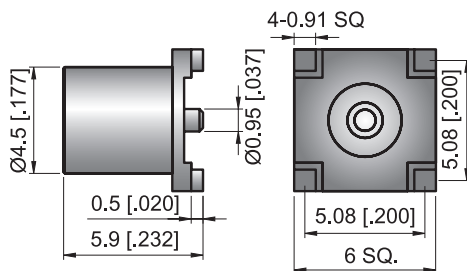


Part Number.	Cable Type	Dimension	
		A	B
MCX-A5716103Z0			

*REMARK : PCB MOUNTING HOLES REF. TO"MH B"

P.C.B Surface Mount

STRAIGHT JACK

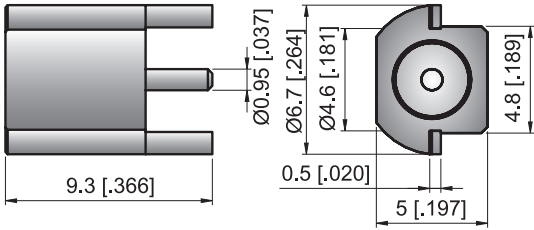


Part Number.	Cable Type	Dimension	
		A	B
MCX-A5716104Z0			

*REMARK : PCB MOUNTING HOLES REF. TO"MH B"

P.C.B Mount

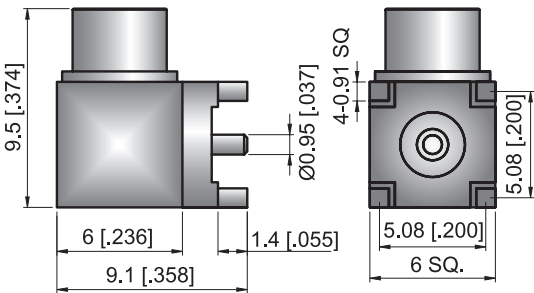
STRAIGHT JACK - Edge Mount



Part Number.	Cable Type	Dimension	
		A	B
MCX-A5716101Z0			

P.C.B Surface Mount

RIGHT ANGLE JACK



Part Number.	Cable Type	Dimension	
		A	B
MCX-A5726102Z0			

*REMARK : PCB MOUNTING HOLES REF. TO"MH B"